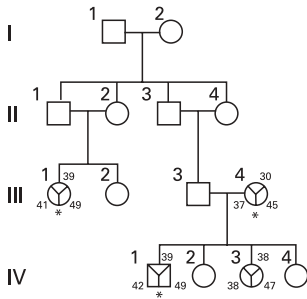
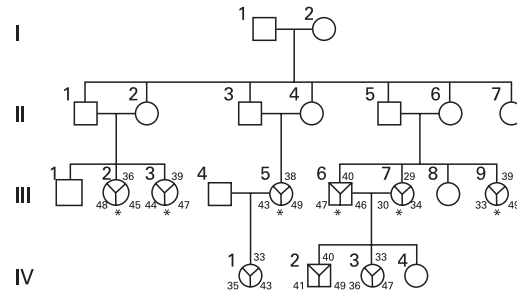


Figure 1 Families participating in the genome-wide scan. The ages of the family members varied between 7 and 88 years (mean 39.3 years). Upper triangle, test score for KMT; left, test score for ST; right, test score for SP. Subjects who had given DNA for the genome-wide scan are marked by an asterisk (*).

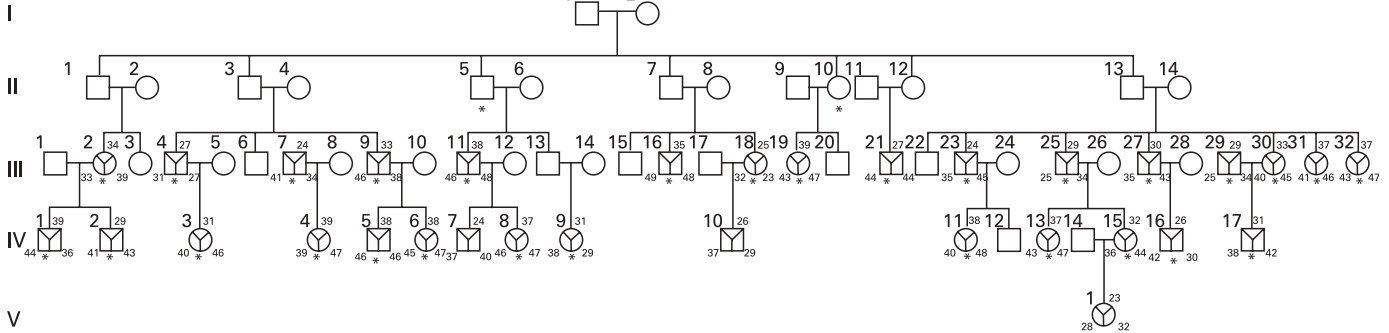
Family 9



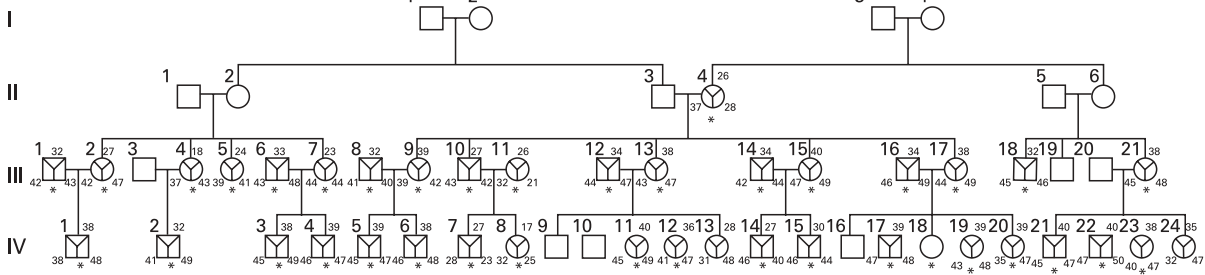
Family 10



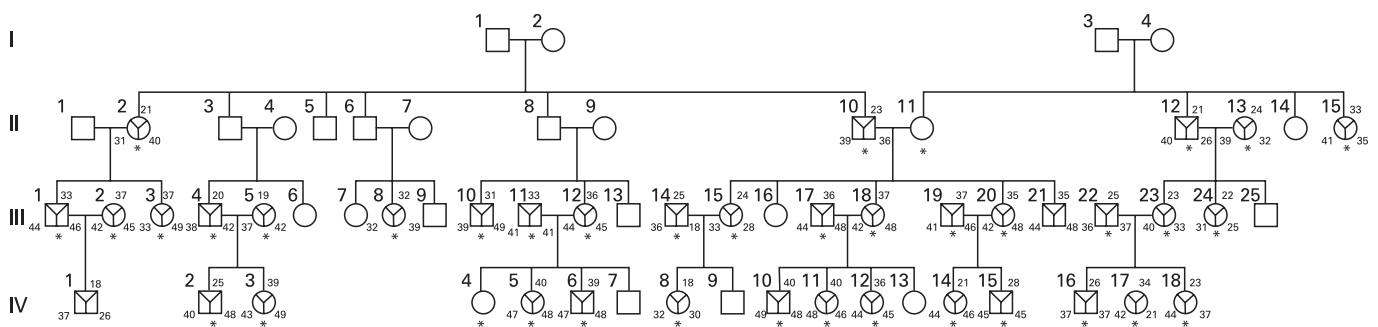
Family 11



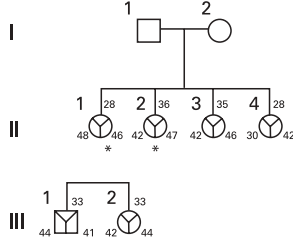
Family 12



Family 13



Family 14



Family 15

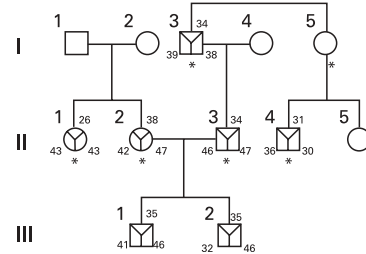


Figure 1 (continued).