

Figure S2

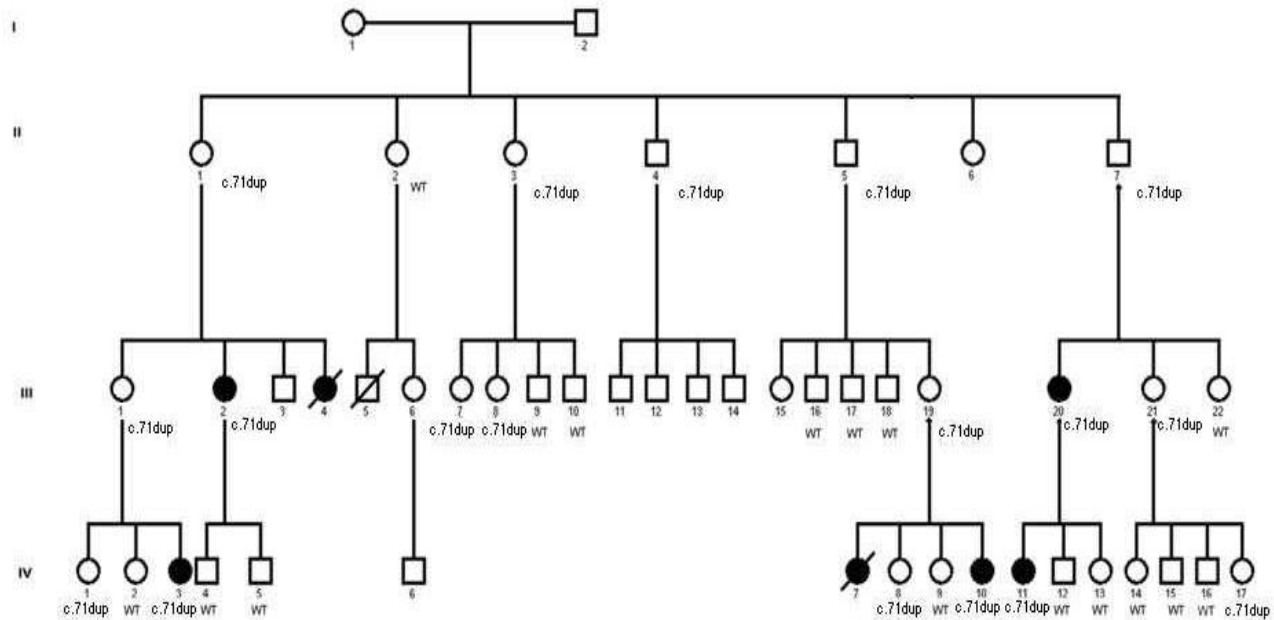


Figure S2. Genealogical table of one family with an history of 5 children (III-2, III-20, IV-3, IV-10 and IV-11) with a documented germline *SUFU* PV affected with a proven medulloblastoma (Family 3)

Legend: Girls affected with medulloblastoma (probable or proven) are shown with filled circles.